

## L58 SERIES

- TAPERED AND SPLASHPROOF LED INDICATOR LIGHTS
- .191" TO .196" DIA. MOUNTING HOLE
- THREADED HOUSING AND NUT
- 6" WIRE LEADS OR STRAIGHT TERMINALS
- CLEAR OR DIFFUSED LENS • VARIOUS LENS COLORS

### Overview

The L58 Series LED indicators are constructed with a threaded housing with integral bezel and supplied with a mounting nut. Each unit has a high brightness clear or diffused LED and two color-coded 6" wire leads or straight terminals. Standard voltages range from 2 to 24 volts DC. Indicators mount into a 0.191"(4.85mm) to 0.196" diameter (4.98mm) mounting hole with a maximum panel thickness of 0.187" (4.76mm). Current: 20mA Typical.

### Specifications

**Housing:** zinc plated brass. A black anodized housing is also available.

#### For A Customized Splash-proof Unit:

**Splash-proof internal gasket:** neoprene. Add **P** to first part of part number, after lens designation. For example, **L58D-Y12-W** changes to **L58DP-Y12-W** for indicator light with an internal neoprene gasket for splash-proof protection.

**LED Lens:** clear (**L58C**) or diffused (**L58D**).

**LED DC voltage options:** 2, 6, 12 and 24 volts.

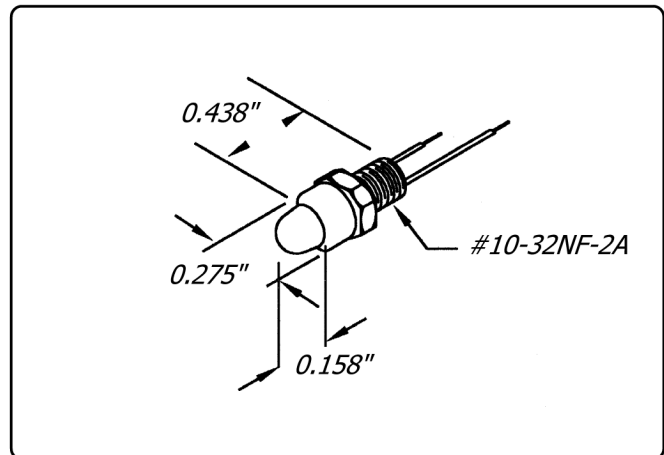
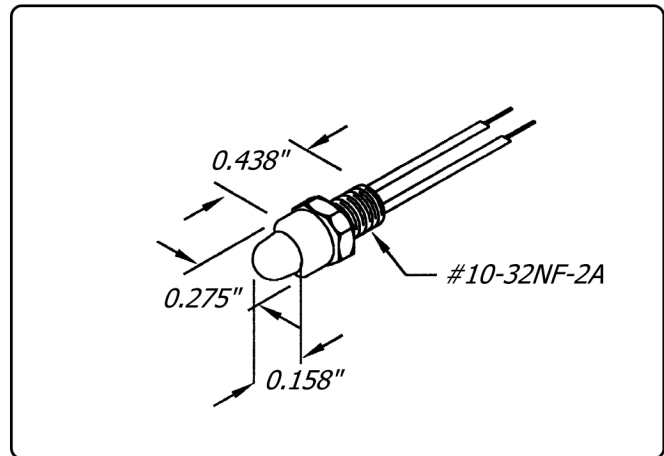
#### Wire leads:

**6" leads:** #24 AWG, prebonded copper, thin wall PVC, UL/CSA rated 105° C, stripped 1/2". A red wire lead denotes the anode (+) while a black wire lead identifies the cathode (-). Custom wire lengths, stripping, termination and wire types are available.

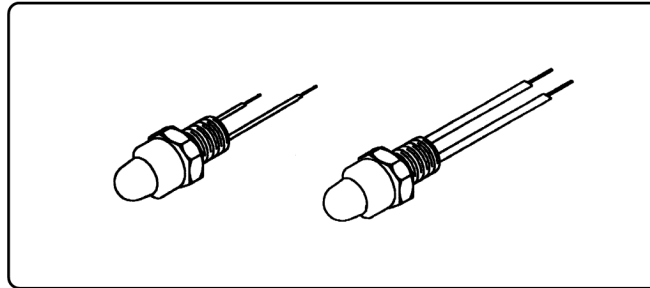
#### Terminals:

**Bare terminals:** longer terminal lead identifies the anode (+).

**Other LEDs:** bi-color, low current or ultra bright.



**L58 Series  
Tapered LED  
Indicator Light  
2 to 24 Volts DC  
Clear Lens or  
Diffused Lens**



**6" Wire Leads or  
Straight Terminals  
Brass Housing  
Various Lens Colors  
Threaded Housing  
And Nut**

Part Number 6" Wire Leads	Part Number Straight Terminals	Lens Style	Lens Color	Design Volts DC	Typical Intensity (mcd)	Typical Viewing Angle
L58C-G2-W	L58C-G2-T	Clear	Green	2	50	30°
L58C-G6-W	L58C-G6-T	Clear	Green	6	50	30°
L58C-G12-W	L58C-G12-T	Clear	Green	12	50	30°
L58C-G24-W	--	Clear	Green	24	50	30°
L58C-R2-W	L58C-R2-T	Clear	Red	2	50	30°
L58C-R6-W	L58C-R6-T	Clear	Red	6	50	30°
L58C-R12-W	L58C-R12-T	Clear	Red	12	50	30°
L58C-R24-W	--	Clear	Red	24	50	30°
L58C-Y2-W	L58C-Y2-T	Clear	Yellow	2	50	30°
L58C-Y6-W	L58C-Y6-T	Clear	Yellow	6	50	30°
L58C-Y12-W	L58C-T12-T	Clear	Yellow	12	50	30°
L58C-Y24-W	--	Clear	Yellow	24	50	30°
L58D-G2-W	L58D-G2-T	Diffused	Green	2	20	60°
L58D-G6-W	L58D-G6-T	Diffused	Green	6	20	60°
L58D-G12-W	L58D-G12-T	Diffused	Green	12	20	60°
L58D-G24-W	--	Diffused	Green	24	20	60°
L58D-R2-W	L58D-R2-T	Diffused	Red	2	10	60°
L58D-R6-W	L58D-R6-T	Diffused	Red	6	10	60°
L58D-R12-W	L58D-R12-T	Diffused	Red	12	10	60°
L58D-R24-W	--	Diffused	Red	24	10	60°
L58D-Y2-W	L58D-Y2-T	Diffused	Yellow	2	20	60°
L58D-Y6-W	L58D-Y6-T	Diffused	Yellow	6	20	60°
L58D-Y12-W	L58D-Y12-T	Diffused	Yellow	12	20	60°
L58D-Y24-W	--	Diffused	Yellow	24	20	60°

**Polarity Determination - Wire Leads:** Red wire lead denotes anode (+); black wire lead denotes cathode (-).  
**Bare terminals:** longer terminal lead identifies the anode (+).